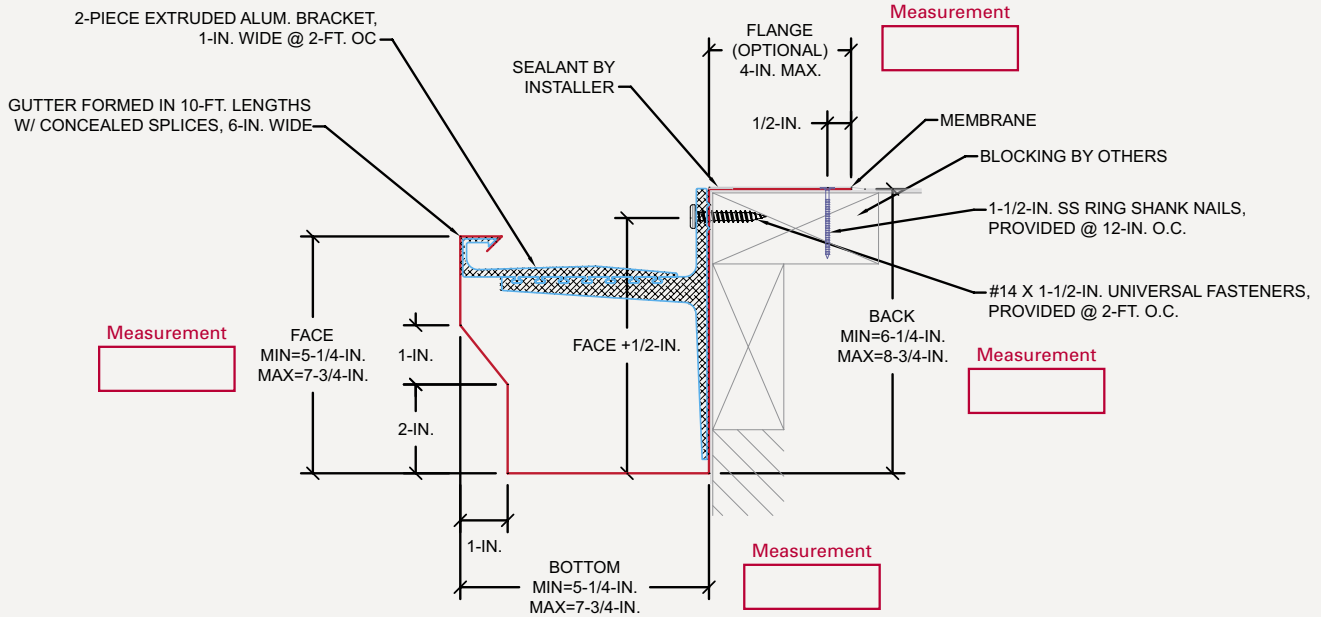




Wind Resistant Offset Gutter

ORDER SPECIFICATION FORM

ANSI/SPRI/GT-1 TEST PRESSURES UP TO 136 PSF(VERTICAL) , AND 223 PSF (HORIZONTAL)



BOTTOM SIZES ARE PROVIDED IN 1/2-IN. INCREMENTS (e.g. 5-1/4-IN., 5-3/4-IN., 6-1/4-IN., . . .)

FOR MASONRY APPLICATIONS, PLEASE CONTACT US.

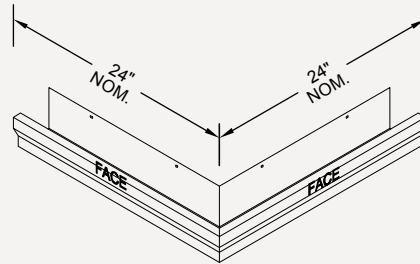
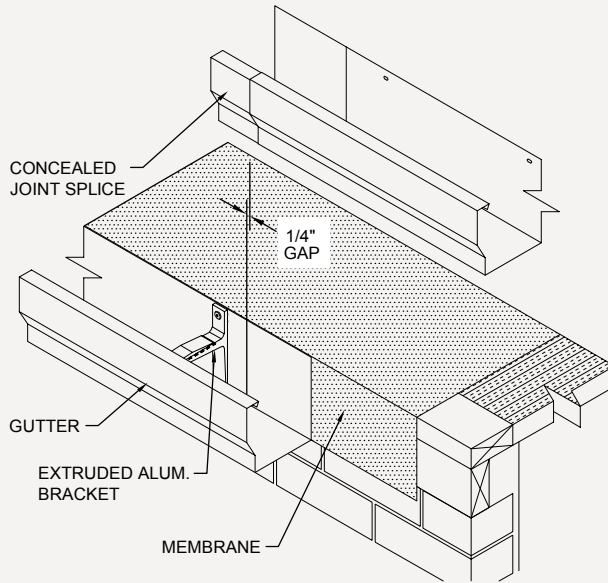
CONTACT US FOR APPROPRIATE RECOMMENDATIONS NEEDED TO MEET/EXCEED ANSI/SPRI/GT-1 DESIGN CRITERIA

QUANTITY	CAP MATERIAL	THICKNESS	ACCESSORY TYPE	CAP FINISH
___ Total LF (10' pcs)	Aluminum	0.040	Welded	Mill Finish
___ Miters (___ Outside, ___ Inside)	Galvanized	0.050	Metal-Lok	Prefinished Kynar
___ End Caps (___ Left, ___ Right)	Stainless Steel	0.063		Post Finished Kynar
___ Expansion Joints (If Required)		0.080		Prefinished Anodized
___ Radius LF (5'-0" pcs)		24 Ga.		Post Finished Anodized
	COLOR	22 Ga.		
	<input type="checkbox"/> _____			

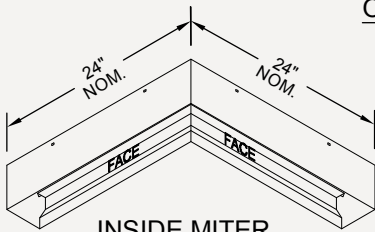
<p>APPROVALS: Contact manufacturer for verification of test report data on your project.</p> <div style="display: flex; align-items: center; gap: 20px;"> <div style="border: 1px solid black; padding: 5px;">ANSI/SPRI/GT-1/Tested</div> </div>	<p>CUSTOMER APPROVAL Authorized Customer Signature</p> <p>Approved for Fabrication Approved with Changes Not Approved</p> <p>_____</p> <p>Title Date</p>	
	<p>Job Name:</p> <p>Customer:</p> <p>Representative:</p>	<p>Job #:</p> <p>Project Location:</p> <p>Architect:</p>



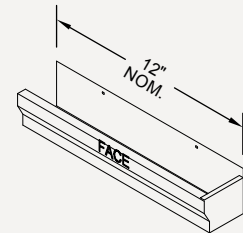
Wind Resistant Offset Gutter



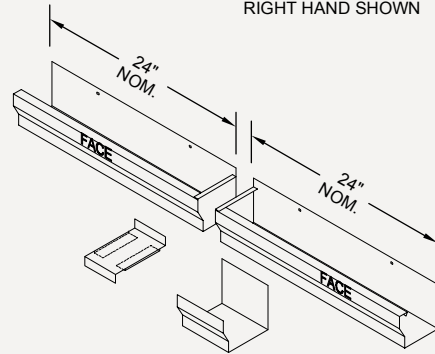
OUTSIDE MITER



INSIDE MITER



END CAP
RIGHT HAND SHOWN



EXPANSION JOINT
(IF REQUIRED)

Standard gutter miter leg lengths are 24" Nominal
 Standard gutter miter angle is 90°
 For special miter requirements, attach sketches or consult manufacturer for assistance.



EdgeSystems

4 COMMERCE WAY, ARDEN NC 28704 USA
 800-892-9173 828-676-1700 OMGROOFING.COM

Copyright © 2020 OMG, Inc. All rights reserved.

Superior productivity.
 Superior performance.

